

USER'S GUIDE

EE800 - HVAC Room Transmitter for CO₂, Temperature and Relative Humidity

GENERAL

EE800 combines CO₂, temperature (T) and relative humidity (RH) measurement in one device with modern design. Additionally, it calculates the dewpoint temperature (Td). EE800 with analogue outputs features an optional passive T sensor, while at EE800 with RS485 additional physical quantities are available on the Modbus RTU and BACnet MS/TP interface: absolute humidity (dv), mixing ratio (r), enthalpy (h), frost point temperature (Tf) and water vapor partial pressure (e).

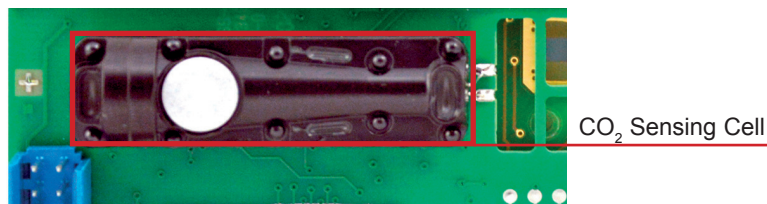
It incorporates the E+E dual wavelength NDIR CO₂ sensor, which compensates for ageing effects, is highly insensitive to pollution and offers outstanding long term stability.

EE800 is available with:

- Three voltage outputs (0-5 V or 0-10 V) for CO₂, T and RH or Td, with an optional passive T output, or
- Two analogue outputs (0-5 V, 0-10 V or 4-20 mA) for CO₂ and T, with an optional passive T output, or
- Modbus RTU or BACnet MS/TP interface, where all physical quantities, as above, are available according to the model ordered.

CAUTION

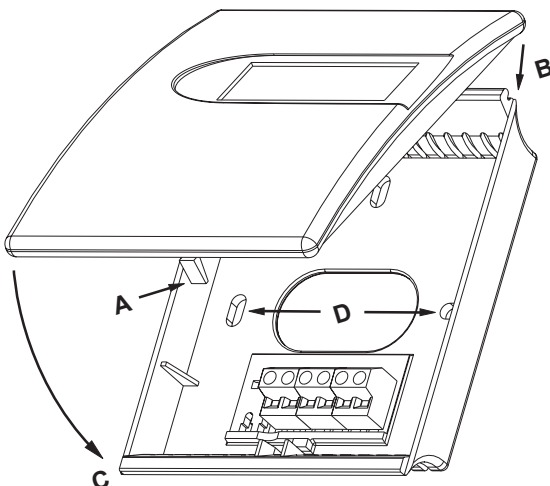
- The device shall not be exposed to extreme mechanical or thermal stress.
- The sensing cell shall not be exposed to any mechanical stress.



- The electronics board is an ESD sensitive device, please handle it accordingly and avoid touching it during installation.
- Please allow min. 5 minutes warm up time for the device to reach the specified measurement performance.

DIMENSIONS / MOUNTING

The electronics of EE800 are located in the front cover, which can be easily snapped on/off once the back cover is fixed onto the wall (D = mounting holes) and wired.



Opening the enclosure

Press to release the latch A till the enclosure can be opened. Use a screwdriver or a pen.

Closing the enclosure

Set the front cover into flute B, rotate it like C and press it onto the back cover till the latch A snaps in.

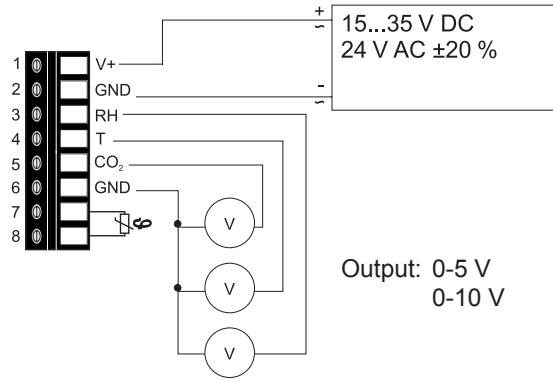
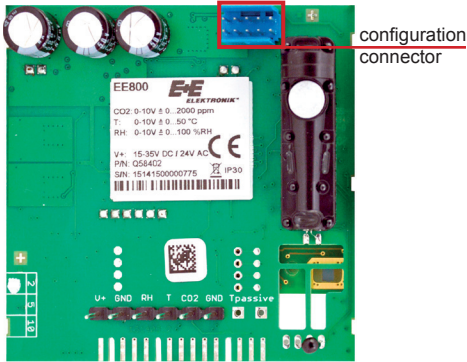
Important

In order to protect the front cover and the electronics from typical construction site pollution (such as painting of the walls) the front cover should be snapped on only after the construction works are completed.

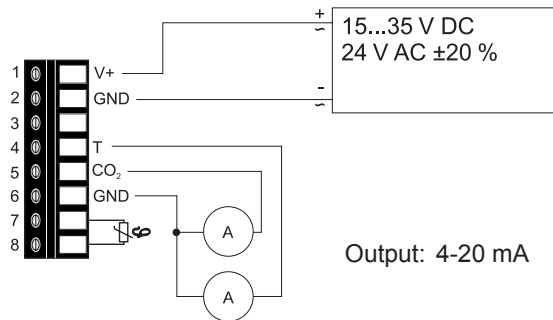
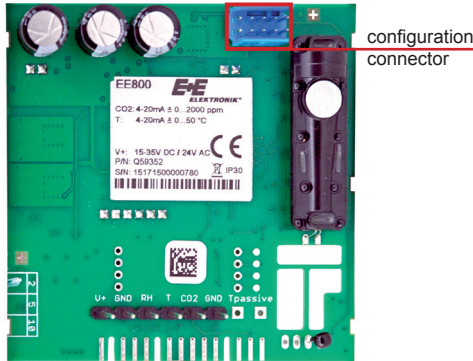
As EE800 is generally mounted onto a conduit box, for accurate measurement results it is important to tighten the conduit box for avoiding false air ingress (along the electrical tubes inside the wall) into the EE800 enclosure.

CONNECTION DIAGRAM

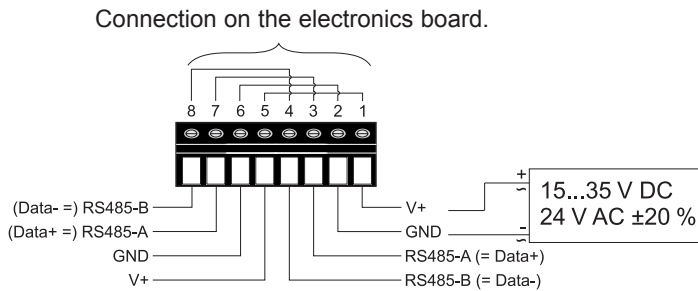
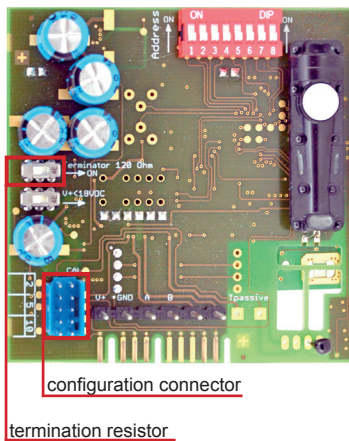
EE800 Voltage Output



EE800 Current Output



EE800 Digital Interface



Screw terminals appropriate for daisy-chain wiring

MODBUS AND BACNET

HARDWARE

- The bus termination shall be realized with 120 Ohm resistor, switch on the board.
- Very important:** For proper function the power supply must be strong enough to ensure supply voltage within the specified range (see technical data) at any time and at all devices in the bus. This is particularly relevant when using long and thin cables which can cause high voltage drop; please note that a single EE800 requires peak current of 150mA.

ADDRESS SETTINGS

Address Switch



Slave address setting via EE-PCS Product Configuration Software:

All switches at position 0 → address has to be set via configuration software (factory setting: 241...Modbus / 3...BACnet).

Example: Slave address is set via configuration software.

Address Switch



Slave address setting via Dip-Switch:

Setting the Dip-Switch to any other address than 0 overwrites the slave address set via configuration software.

Example: Slave address set to 11 (=00001011 binary).

BACNET INFOS

Please see **PICS (Product Implementation Conformance Statement)** - available on www.epluse.com/EE800

MODBUS-MAP

The measured values are saved as a 32Bit float value from 0x19 to 0x2F.

The factory setting for the Slave-ID is 241 as an integer 16Bit value. This ID can be customised in the register 60001 (0x00) (value margin 1 - 247 permitted).

The serial number as ASCII-code is located at register address 30001-30008.

The firmwareversion is located at register address 30009.

The required units (metric or non-metric) must be selected in the „Ordering guide“, see EE800 data sheet.

FLOAT (read register):			
Register address	Communication address	Parameter name	
30026	0x19	temperature	[°C], [°F]
30028	0x1B	relative humidity	[%]
30030	0x1D	water vapour partial pressure	[°C], [°F]
30032	0x1F	dew point temperature	[°C], [°F]
30036	0x23	absolute humidity	[g/m³], [g/ft³]
30038	0x25	maxing ratio	[g/kg], [gr/lb]
30040	0x27	specific enthalpy	[kJ/kg], [BTU/lb]
30042	0x29	frost point temperature	[°C], [°F]
30046	0x2D	CO ₂ Raw*	[ppm]
30048	0x2F	CO ₂	[ppm]

INFO (read register):		
Register address	Communication address	Parameter name
30001	0x00	Serial number
30009	0x08	Firmware version

INTEGER (write register):*		
Register address	Communication address	Parameter name
60001	0x00	Slave-ID (modbus adresse)
60002	0x01	Modbus protocol settings*

*For Modbus protocol setting please see Application Note Modbus (www.epluse.com)

* PLEASE NOTE:

Only for special applications where faster response time is necessary. Please contact your E+E Sales representative.

Protocol setting:

Address, baudrate, parity and stop bits can be set via:

1. Configurator software (available on www.epluse.com/)
2. Modbus protocol (please see Application Note Modbus (available on www.epluse.com))

SETUP AND ADJUSTMENT

The EE800 transmitter is ready to use and does not require any configuration by the user. The factory setup of EE800 corresponds to the type number ordered. For ordering guide please see data sheet at www.epluse.com/EE800.

If need, the user can change the factory setup by using the optional Configuration Adapter Cable HA011066 and the E+E Product Configuration Software (EE-PCS).

The user can assign physical quantities to the analogue outputs, set the scaling of the outputs, change the display settings and perform one or two point adjustment for CO₂, RH and T.

The free E+E Product Configuration Software (EE-PCS) and can be downloaded from www.epluse.com/configurator.



Configuration Adapter Cable HA011066

TECHNICAL DATA

(Modification rights reserved)

Measured values

CO₂	
Measurement principle	Dual Wavelength Non-Dispersive Infrared Technology (NDIR)
Working range	0...2000 / 5000 ppm
Accuracy at 25 °C (77 °F) and 1013 mbar	0...2000 ppm: < ± (50 ppm +2 % of measuring value) 0...5000 ppm: < ± (50 ppm +3 % of measuring value)
Response time τ_{63}	typ. 110 s
Temperature dependence	typ. 1 ppm CO ₂ /°C (-20...45 °C) (-4...113 °F)
Calibration interval ¹⁾	>5 years

Temperature

Accuracy ²⁾ at 20 °C (68 °F)	±0.3 °C (±0.54 °F) RS485 digital interface; ±0.3 °C (±0.54 °F) voltage output / ±0.7 °C (±1.26 °F) current output
---	--

Relative Humidity

Working range	10...90 % rh
Accuracy at 20 °C (68 °F)	±3 % RH (30...70 % RH) ±5 % (10...90 % RH)

Calculated values

Dewpoint temperature³⁾

Working range	-30...55 °C (-22...131 °F)
Accuracy	< ±2 °C (3.6 °F) for T - Td < 25 °C (45 °F) < ±3 °C (5.4 °F) for T - Td < 30 °C (54 °F)

Outputs

Analogue

0...2000 / 5000 ppm	0-5 V / 0-10 V	-1 mA < IL < 1 mA
	4-20 mA	R _L < 500 Ohm

Digital Interface RS485 with max. 32 devices on one bus

Protocol Modbus RTU or BACnet MS/TP

Temperature passive please see ordering guide (only in combination with analogue outputs)

General

Supply voltage	24 V AC ±20 %	15-35 V DC
Current consumption	typ. 14 mA + output current; peak 0.3 A for 0.3 s	
Analogue		
Digital	bias: typ. 11 mA at 15...35 V DC typ. 30 mA at 24 V AC ±20 % peak: 150mA at 15...35 V DC, 24 V AC ±20 %	
Housing (polycarbonate)	US Version: UL94V-0 approved / EU Version: UL94HB approved	
Protection class	IP30	
Display ⁴⁾	LC display: alternating CO ₂ / T / RH or Td	
Electrical connection	screw terminals max. 1.5 mm ² (AWG16)	
Electromagnetic compatibility	EN61326-1	EN61326-2-3
	FCC Part 15	ICES-003 ClassB
Working / Storage T-range	0...90 % RH (non condensing) / -20...60 °C (-4...140 °F)	



1 Under normal operating conditions.

2 U_v = 24 V DC and R_L = 250 Ω for version with current output

3 Additional calculated physical quantities available only on the Modbus and BACnet interface: absolute humidity, mixing ratio, enthalpy, frost point temperature and water vapor partial pressure.

4 Analogue outputs: The display shows the physical quantities selected for the outputs.

Digital interface: The display shows CO₂ and T for Model M11 and CO₂, T, and RH for Model M12

ACCESSORIES

USB configuration adapter
Product configuration software

HA011066
EE-PCS (free download: www.epluse.com/configurator)

SCOPE OF SUPPLY

Model	EE800	EE800 with RS485 interface
EE800 Transmitter according ordering guide	✓	✓
Mounting kit	✓	✓
Test report according to DIN EN10204 - 2.2	✓	✓
Quick Guide - EE800 with digital interface		✓

USA

FCC notice:

This equipment has been tested and found to comply with the limits for a Class B digital device, pursuant to part 15 of the FCC Rules. These limits are designed to provide reasonable protection against harmful interference in a residential installation. This equipment generates, uses and can radiate radio frequency energy and, if not installed and used in accordance with the installation manual, may cause harmful interference to radio communications. However, there is no guarantee that interference will not occur in a particular installation. If this equipment does cause harmful interference to radio or television reception, which can be determined by turning the equipment off and on, the user is encouraged to try to correct the interference by one or more of the following measures:

- Reorient or relocate the receiving antenna.
- Increase the separation between the equipment and receiver.
- Connect the equipment into an outlet on a circuit different from that to which the receiver is connected.
- Consult the dealer or an experienced radio/TV technician for help.

CANADIAN

ICES-003 Issue 5:

CAN ICES-3 B / NMB-3 B

INFORMATIONEN

+43 7235 605 0 / info@epluse.com

Langwiesen 7 • A-4209 Engerwitzdorf
 Tel: +43 7235 605-0 • Fax: +43 7235 605-8
info@epluse.com • www.epluse.com

LG Linz Fn 165761 t • UID-Nr. ATU44043101
 Place of Jurisdiction: A-4020 Linz • DVR0962759

