



JLC International, Inc  
958 Town Center  
New Britain, PA 18901

Phone: (800)-599-4732  
(215)-340-2650  
Fax: (215)-340-3670

[www.jlcinternational.com](http://www.jlcinternational.com)

[jlcusa@jlcinternational.com](mailto:jlcusa@jlcinternational.com)

# Low Cost Liquid Turbine Flow Meter Series 900 / 1000

## Low flow, flowmeter with stainless steel threaded connections

The 900 and 1000 series liquid turbine flowmeters are designed to give high performance and competitive pricing with 6 flow ranges from 0.05 to 15 liters per minute for the 900 series. The 1000 series offers 7 flow ranges from 0.05 to 30 liters per minute. The combination of a stainless steel body and a PVDF interior makes this the ideal choice for the metering of aggressive chemicals, including ultra-pure water. The standard inlet for the series 900 is 1/4" NPTF, and for the series 1000 it is 1/2" NPTF, although for OEM use alternatives are available. The bearings are made of sapphire for long life and reliability and as standard the 'O' ring seal is Viton™.



## Features

- Manufactured in stainless steel / PVDF with encapsulated ceramic magnets and sapphire bearings
- Measurement down to 50 ml/min (0.013 gpm)
- Pressure rating 10 bar (145 psi); 25 bar (363 psi) and 40 bar (580 psi) optional
- Temperature rating up to 125 °C (257 °F)
- Process connections 1/4" and 1/2" NPTF
- Viton™ seal standard
- High accuracy and repeatability
- Hall Effect detector
- Pulse output NPN or PNP (optional)
- M12 connector with 1 meter (3 feet) cable and flying leads

## Flow Ranges and Pulses

Model	Range liter/min	Range gal/min	Accuracy ± % FS	Frequency Hz <sup>1)</sup>	K-factor 1/liter <sup>1)</sup>	K-factor 1/gallon <sup>1)</sup>
903 / 1003	0.05.....0.50	0.013.....0.132	2.0	142	17000	64352
915 / 1015	0.12.....1.50	0.032.....0.396	2.0	175	7000	26498
945 / 1045	0.20.....4.50	0.053.....1.189	1.5	260	3500	13249
965 / 1065	0.25.....6.50	0.066.....1.717	1.5	230	2100	7949
910 / 1010	0.30.....10.0	0.079.....2.642	1.0	235	1420	5375
924 / 1024	0.50.....15.0	0.132.....3.963	1.0	245	980	3710
1000	2.00.....30.0	0.528.....7.925	1.0	250	500	1893

1) An approximation; the actual values are provided with each individual flowmeter by means of a calibration certificate and graph.

Table 1



JLC International, Inc  
 958 Town Center  
 New Britain, PA 18901

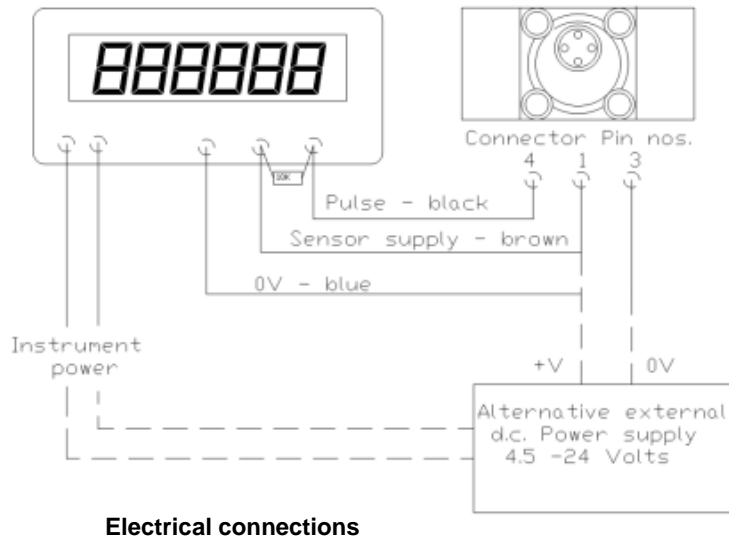
Phone: (800)-599-4732  
 (215)-340-2650  
 Fax: (215)-340-3670

[www.jlcinternational.com](http://www.jlcinternational.com)

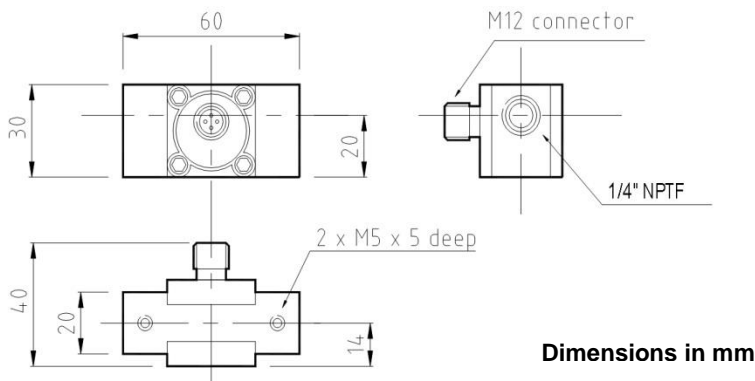
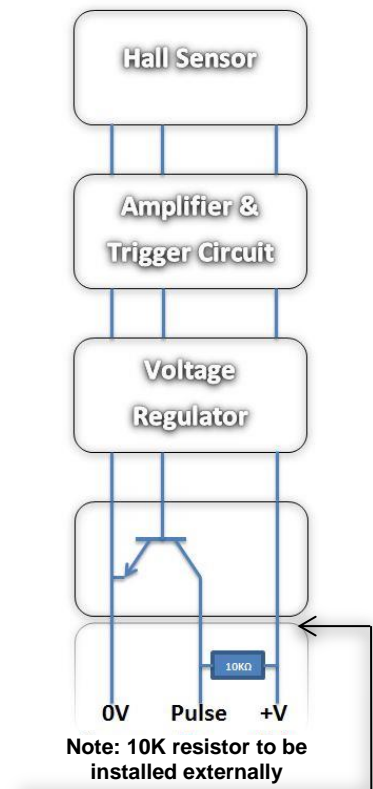
[jlcusa@jlcinternational.com](mailto:jlcusa@jlcinternational.com)

## Technical Specifications

- Linearity: see table 1
- Repeatability:  $\pm 0.1\%$
- Pulse output: NPN, Hall Effect – switch current 10 mA max.
- Pressure rating: 10 bar (145 psi); 25 bar (363 psi) and 40 bar (580 psi) optional
- Viscosity / particles: up to 10 cP / less than 90 micron
- Temperature rating:  $-25\text{ }^{\circ}\text{C}$  ( $-13\text{ }^{\circ}\text{F}$ ) up to  $125\text{ }^{\circ}\text{C}$  ( $257\text{ }^{\circ}\text{F}$ )
- Calibration: fully calibrated for water @  $20\text{ }^{\circ}\text{C}$  ( $68\text{ }^{\circ}\text{F}$ ), incl. calibration certificate with K-factors  
 Pre-scaled K-factor, see separate data sheet / consult JLC
- Body and internals: Stainless steel / PVDF, Sapphire, encapsulated ceramic magnets
- Seals: Viton O ring – Nitrile, EPDM and Silicon optional
- Connections: 1/4" and 1/2" NPTF
- Power supply: 4.5 – 24 Vdc; 7.5 mA typical

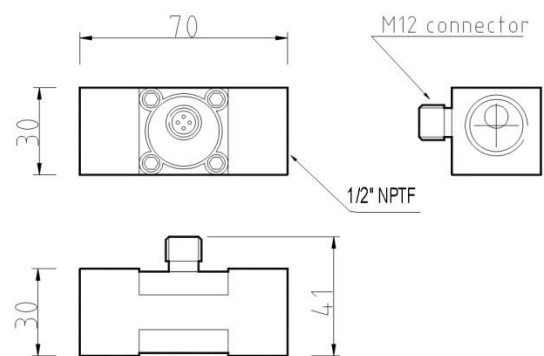


Electrical connections



Dimensions in mm

Series 900



Series 1000



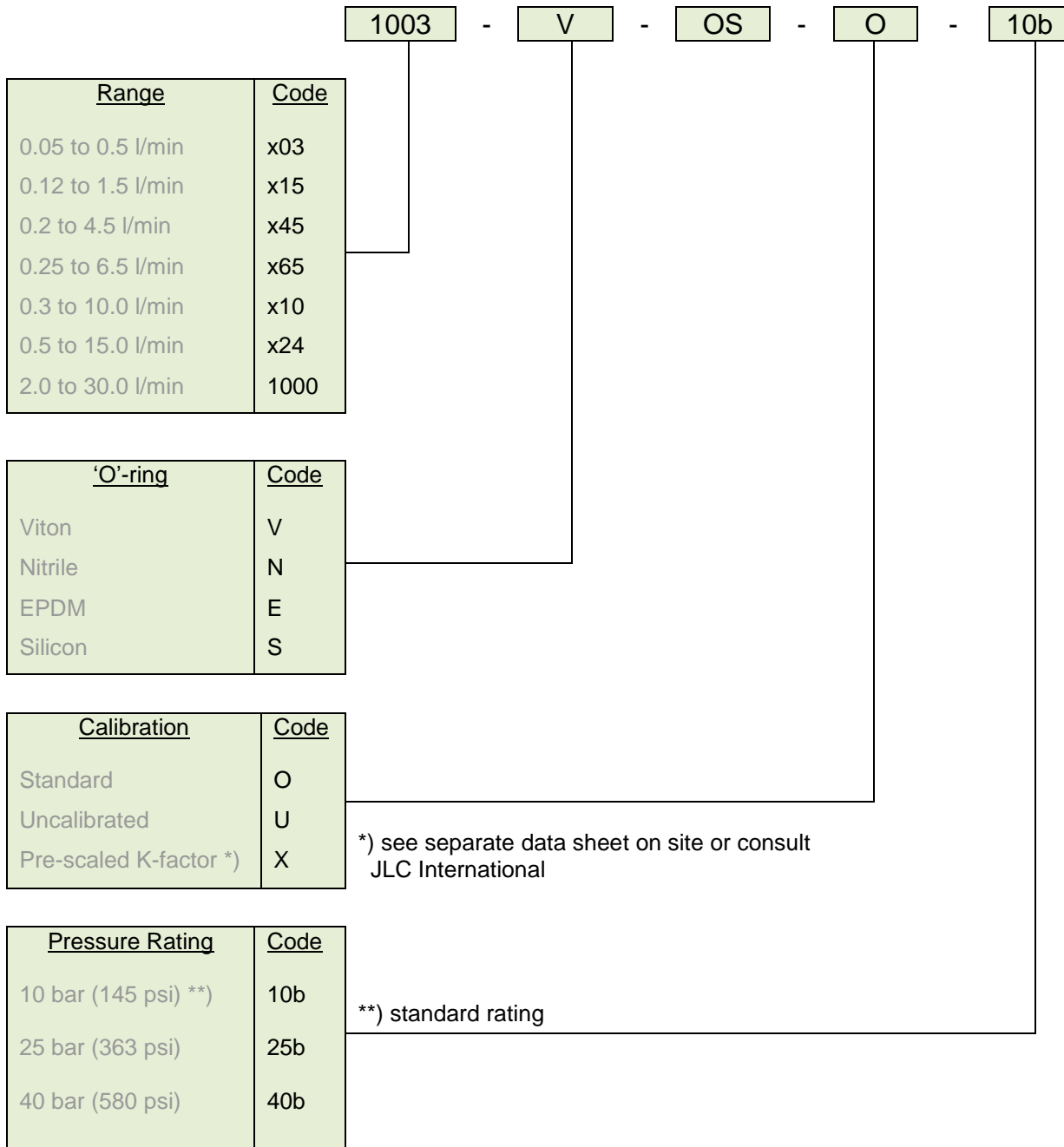
JLC International, Inc  
 958 Town Center  
 New Britain, PA 18901

Phone: (800)-599-4732  
 (215)-340-2650  
 Fax: (215)-340-3670

[www.jlcinternational.com](http://www.jlcinternational.com)

[jlcusa@jlcinternational.com](mailto:jlcusa@jlcinternational.com)

## Model Numbering System



E.g. 1003-VOS-O-10b: range 0.05 to 0.5 l/min, Viton seal, and 6-point traceable water calibration