

EE10-T / EE10-P

Room Temperature Transmitters and Sensors

EE10 is the ideal solution for room temperature measurement in residential and commercial HVAC applications. The very stylish, snap-on enclosure allows for easy installation and replacement of the sensing unit for service purposes.

The EE10 transmitters supply a 0-10 V or 4-20 mA output, while the EE10 sensors have passive temperature output. An optional LCD display is available for the EE10 transmitters.

Two different enclosure designs ensure professional appearance according to regional standards.



Typical Applications

Residential and commercial building automation
 Switching cabinets
 Indoor climate control

Features

Excellent price / performance ratio
 Easiest installation
 Modern design

Technical Data

Measuring Quantities

Temperature (active output)

Analogue output 0...50 °C (32...122 °F) ¹⁾	0-10 V	-1 mA < I _L < 1mA
	4-20 mA (two wires)	R _L < (U _V -10)/0.02 < 500 Ohm

Accuracy at 20 °C (68 °F)	±0.3 °C (±0.54 °F)
---------------------------	--------------------

Temperature (passive output)

Type of T-Sensor	please see ordering guide
------------------	---------------------------

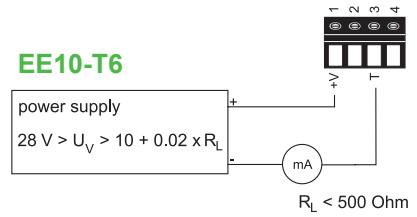
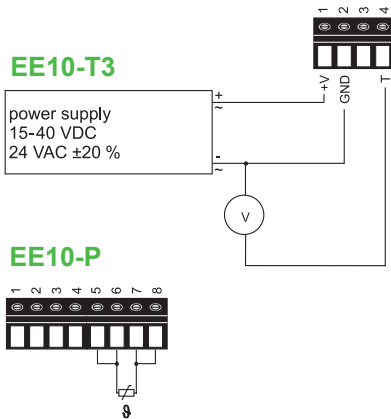
General Data

Voltage supply (U _V)		
for 0-10 V	15-40 VDC or 24 VAC ±20 %	
for 4-20 mA	28 VDC > U _V > 10 + 0.02 x R _L (R _L < 500 Ohm)	
Current consumption		
for DC supply:	typical 4 mA	
for AC supply:	typical 15 mA _{eff}	
Electrical connection	Screw terminals max. 1.5 mm ² (AWG 16)	
Housing material	Polycarbonat	
	US Version: UL94V-0 approved / EU Version: UL94HB approved	
Protection class	PC / IP30	
Display	only for EE10-Tx version: temperature	
CE compatibility according	EN61326-1	FCC Part15 ClassB
	EN61326-2-3	ICES-003 ClassB
Temperature ranges	Working temperature range: -5...55 °C (23...131 °F)	
	Storage temperature range: -25...60 °C (-13...140 °F)	

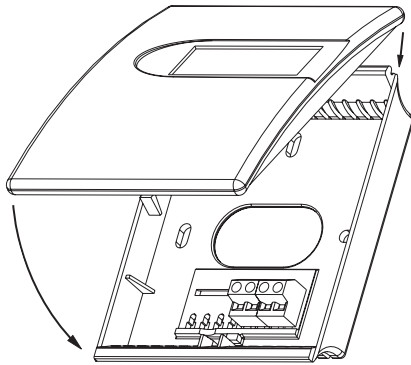


1) other scalings see datasheet „Scaling of the outputs“

Connection Diagram



Dimensions



Housing colour: cover: RAL 9003 (signal white)
back: RAL 7035 (light grey)

EU: W x H x D = 85 x 100 x 26mm (3.3 x 3.9 x 1")
US: W x H x D = 85 x 136 x 26mm (3.3 x 5.4 x 1")

Ordering Guide

MODEL	OUTPUT	T-SENSOR PASSIVE ¹⁾	DISPLAY	HOUSING	T-UNIT	T-SCALE ²⁾
temperature active (T)	0 - 10 V (3)		without display (-)	Europe (-)	°C (-)	0...50 (T04)
	4 - 20 mA (6)		with display (D04)	USA (US)	°F (E01)	-5...55 (T31)
						0...40 (T55)
						20...120 (T15)
					32...132 (T96)	
temperature passive (P)		Pt100 DIN A (A)		Europe (-)		
		Pt1000 DIN A (C)		USA (US)		
		Pt1000 DIN B (D)				
		NTC10k (L)				
		Ni1000 TK6180 DIN B (J)				
		Ni1000 TK5000 DIN B (T)				
EE10-						

1) T-Sensor details see www.epluse.com/R-T_Characteristics

2) other scalings see datasheet „Scaling of the outputs“

Order Example

Active Output

EE10-T6D04/T04

Model: Temperature transmitter
Output: 4-20 mA
Display: with display
T-Scale: 0...50°C (32...122°F)

Passive Output

EE10-PCUS

Model: Temperature sensor
T-Sensor passive: Pt1000 DIN A
Housing: USA

Scope of supply

- EE10 transmitter or sensor according ordering guide
- Mounting material
- Test report according DIN EN10204 - 2.2 (for EE10-T)