



JLC International, Inc  
958 Town Center  
Lenape Drive  
New Britain, PA 18901

Phone: (800)-599-4732  
(215)-340-2650  
Fax: (215)-340-3670

[www.jlcinternational.com](http://www.jlcinternational.com)

[jlcusa@jlcinternational.com](mailto:jlcusa@jlcinternational.com)

## Oval Gear Flow Meters Series OG1 – OG7 / OG3

### Chemically resistant and for high viscosity

These compact rugged oval gear flowmeters by Titan Enterprises are designed to give high performance with a low cost of ownership. These meters are happy measuring simple water like products as well as lubricating fluids. There are several versions; some can have totally non-metallic wetted components, PEEK™, ceramic and a choice of elastomer, which makes these the ideal choice for the metering of aggressive chemicals. The standard inlet and outlet are BSP or NPT female threads, flanges are also available. For OEM use alternatives, including manifold mountings, are available. The standard models are 316 St St, aluminum, and PEEK. \*) For hazardous areas the reed switch (simple apparatus) or Namur sensor may be used.



At the heart of the meter is a pair of toothed oval gears one of which contains chemically resistant magnets, the gears rotate freely on robust bearings. Rotation is detected through the chamber wall by a Hall Effect detector or a reed switch giving an accurate number of pulses per liter passed. The output is an NPN pulse or a voltage free contact closure either of which is readily interfaced with most electronic display or recording devices. This combination of materials and technology ensures a long life product with reliable, accurate operation throughout. PEEK is a superb material for gear and bearing manufacture, it has excellent pressure and velocity characteristics coupled with very good thermal properties and chemical resistance. For fluids with viscosities above 1000 cSt. especially cut gears are required and the flow range is reduced for a given meter size.

\*) OG6 and OG7 not available in PEEK

### Features

- Excellent chemical resistance
- Rugged construction
- Individual calibration
- High viscosity capability
- Low pressure loss
- Flow conditioning not required
- Compact meter assembly
- Hall Effect, Reed Switch or Namur sensor
- Good accuracy and repeatability
- IP67 / NEMA 4 protection
- Models up to 700 Bar
- Non-metallic version



MetraSmart Totalizer / Indicator  
See separate data sheet



JLC International, Inc  
 958 Town Center  
 Lenape Drive  
 New Britain, PA 18901

Phone: (800)-599-4732  
 (215)-340-2650  
 Fax: (215)-340-3670

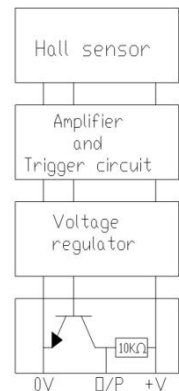
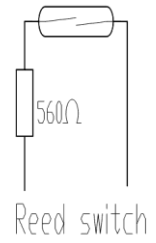
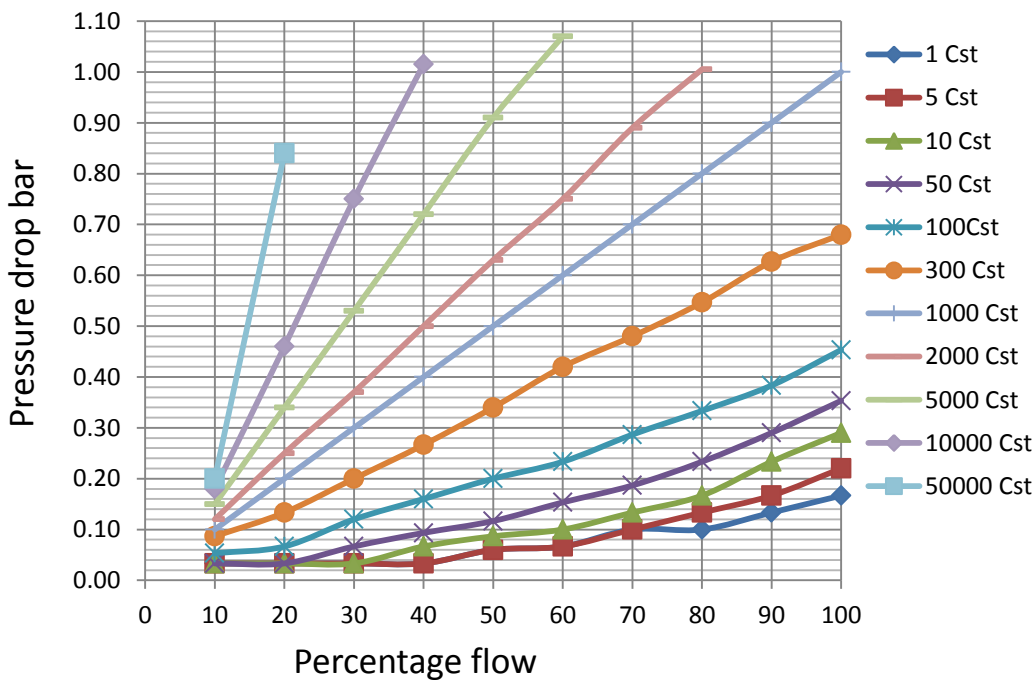
[www.jlcinternational.com](http://www.jlcinternational.com)

[jlcusa@jlcinternational.com](mailto:jlcusa@jlcinternational.com)

## General Technical Specifications

- Accuracy: see Table 1
- Repeatability:  $\pm 0.1\%$
- Pulse output: Hall Effect (NPN), Reed Switch or Namur sensor
- Pressure ratings: 10 bar (145 psi), 50 bar (725 psi), 400 bar (5800 psi) or 700 bar (10150 psi)
- Temperature ratings: 80 °C (176 °F), 100 °C (212 °F) or 150 °C (302 °F)
- Body: aluminum, Peek or 316 stainless steel
- Gears / Magnets: carbon filled Peek / Ceramic
- Spindles: stainless steel
- Seals: Viton, Nitrile, EPDM or Kalrez
- Connections: NPT or BSP female standard; flanges on request
- Supply voltage: 4.5 – 24 Vdc (Hall Effect)
- Reed Switch: 24 V / 100 mA max.
- Protection class: IP67 / Nema 4X
- Calibration: for water over 6-points with certificate
- Strainer / filter: recommended for particulates > 80 micron

## Percentage of flow vs viscosity



Sensor block diagram



JLC International, Inc  
 958 Town Center  
 Lenape Drive  
 New Britain, PA 18901

Phone: (800)-599-4732  
 (215)-340-2650  
 Fax: (215)-340-3670

[www.jlcinternational.com](http://www.jlcinternational.com)

[jlcusa@jlcinternational.com](mailto:jlcusa@jlcinternational.com)

## Flow Ranges and Pulses in Liters

Model	Water Flow		30 cSt. Oil Flow		K-factor 1/liter
	Range liter/min	Accuracy ± %	Range liter/min	Accuracy ± %	
OG1	0.1 – 1.0	1.0 *)	0.01 – 1.00	0.75 *)	2050
OG2	0.15 – 4.0	1.0 *)	0.03 – 4.00	0.75 *)	1100
OG3	0.5 – 10.0	0.5 *)	0.05 – 10.0	1.0 **)	400
OG4	2.5 – 50.0	1.0 **)	0.25 – 50.0	0.5 **)	110
OG5	4.0 – 100	0.75	0.5 – 100	0.5	70
OG6	10.0 – 200	1.0	2.0 – 200	0.5	21
OG7	20.0 – 500	1.0	5.0 – 500	0.5	15

Table 1a

\*) Percentage of full scale; other percentages of reading  
 \*\*) 0.5% full scale for PEEK body

## Flow Ranges and Pulses in Gallons

Model	Water Flow		30 cSt. Oil Flow		K-factor 1/gallon
	Range gal/min	Accuracy ± %	Range gal/min	Accuracy ± %	
OG1	0.026 – 0.264	1.0 *)	0.003 – 0.264	0.75 *)	7760
OG2	0.04 – 1.06	1.0 *)	0.008 – 1.06	0.75 *)	4164
OG3	0.13 – 2.64	0.5 *)	0.013 – 2.64	1.0 **)	1514
OG4	0.66 – 13.21	1.0 **)	0.07 – 13.21	0.5 **)	416
OG5	1.06 – 26.42	0.75	0.13 – 26.42	0.5	265
OG6	2.64 – 52.83	1.0	0.53 – 52.83	0.5	79
OG7	5.28 – 132.1	1.0	1.32 – 132.1	0.5	57

Table 1b

\*) Percentage of full scale; other percentages of reading  
 \*\*) 0.5% full scale for PEEK body



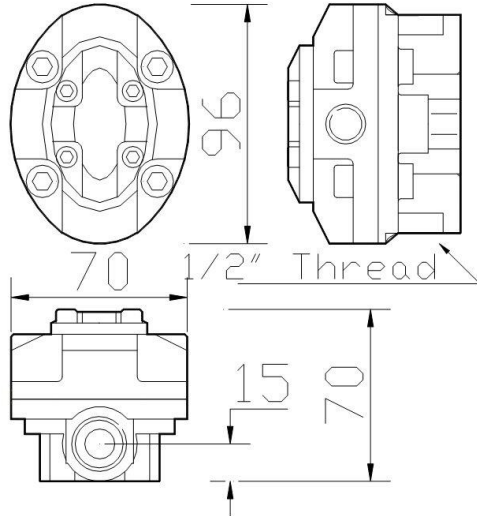
JLC International, Inc  
 958 Town Center  
 Lenape Drive  
 New Britain, PA 18901

Phone: (800)-599-4732  
 (215)-340-2650  
 Fax: (215)-340-3670

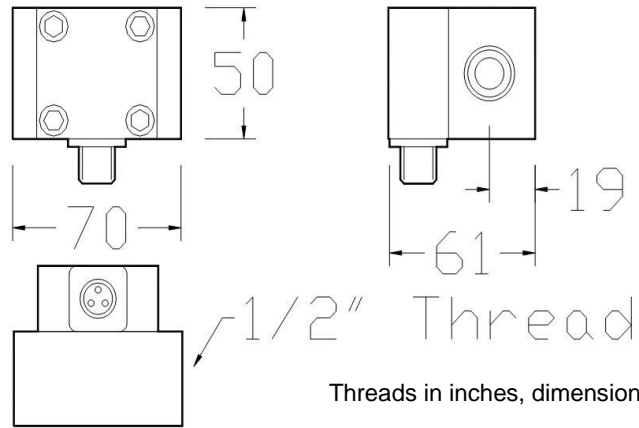
[www.jlcinternational.com](http://www.jlcinternational.com)

[jlcusa@jlcinternational.com](mailto:jlcusa@jlcinternational.com)

### Oval Gear Meter OG3



316 St St body



Threads in inches, dimensions in mm.

PEEK™ & Aluminium body

Terminations	
Aluminum	Mill socket
Stainless Steel	M20 Gland
Peek	M12 instrument socket



Peek Oval Gear Meter OG3

Stainless Steel Oval Gear Meter OG3 up to 400 bar (5800 psi)



JLC International, Inc  
 958 Town Center  
 Lenape Drive  
 New Britain, PA 18901

Phone: (800)-599-4732  
 (215)-340-2650  
 Fax: (215)-340-3670

[www.jlcinternational.com](http://www.jlcinternational.com)

[jlcusa@jlcinternational.com](mailto:jlcusa@jlcinternational.com)

## Model Ordering Code

OG3

**A** - **S** - **1** - **E** - **R** - **HN**

Body Material	Code
Aluminum	A
Peek	P
316 Stainless Steel	S

Temperature Rating	Code
80 °C / 176 °F	S
100 °C / 212 °F	T
150 °C / 302 °F *)	U

Pressure Rating	Code
10 bar / 145 psi	1
50 bar / 725 psi *)	5
400 bar / 5800 psi *)	4
700 bar / 10150 psi *)	7

Seal	Code
Viton	V
Nitrile	N
EPDM	E
Kalrez	K

Detector	Code
Hall Effect	H
Reed Switch	R
Namur	N

Connections	Code
½" NPT Female	HN
½" BSP Female	HB
Flanges	HF

\*) Stainless Steel body only

E.g. OG3-S-S-5-V-H-HN – stainless steel meter up to 80 °C and 50 bar with Viton seal, Hall Effect and ½" NPTF connections